

SAVE THESE INSTRUCTIONS

NOTE: Check ALL parts for shipping damage. In case of shipping damage, DO NOT use. Contact Dealer/Carrier for further instructions.

Safety Summary

To ensure the safe and proper installation of the Bariatric Trapeze, these instructions must be followed:

⚠ WARNING

DO NOT install or use this equipment without first reading and understanding this instruction sheet. If you are unable to understand the **Warnings, Cautions or Instructions**, contact a healthcare professional, dealer or technical personnel before attempting to install this equipment - otherwise, injury or damage may occur.

The Bariatric Trapeze, used in conjunction with a bed, can assist an individual weighing up to 1000 lbs (453.6 kg). The Bariatric Trapeze is designed to provide support, increase stability and assist the user when repositioning himself/herself in bed. The Bariatric Trapeze is not designed, however, to support the total body weight of an individual. Use it for assistance only.

Always be aware of the location of the boom tube, base assemblies, and grab bar - otherwise, injury or damage may occur.

DO NOT store grab bar on the boom tube or mast - otherwise, injury or damage may occur.

DO NOT install or adjust trapeze while bed is occupied.

Ensure that the snap buttons in the base assemblies fully protrude through the holes in the A-frame. This ensures that the base assemblies are properly installed and securely locked in position.

After installation and before use, ensure all attaching hardware is tight and secure at all times.

ALWAYS rotate Trapeze so the grab bar is directly above the individual using the grab bar. Grab bar should be grasped with both hands and pulled straight down. **DO NOT** pull grab bar at an angle - otherwise injury or damage may occur.

Ensure that the trapeze clamp is securely tightened before using the trapeze, otherwise injury may occur.

Ensure that the quick release pin is securely locked in place before using the trapeze, otherwise injury may occur.

After positioning unit, ensure locking casters on the bed assembly are in the locked position. Failure to lock bed casters can result in bed movement during trapeze use and result in possible injury or property damage.

Invacare products are specifically designed and manufactured for use in conjunction with Invacare accessories. Accessories designed by other manufacturers have not been tested by Invacare and are not recommended for use with Invacare products.

Assembling the Trapeze

NOTE: For this procedure, refer to FIGURE 1.

NOTE: Invacare recommends that two (2) people assemble the Bariatric Trapeze.

⚠ WARNING

The weight of the Bariatric Trapeze components are between 17 lbs (7.72 kg) and 21 lbs (9.53 kg). Use proper lifting techniques (lift with your legs) to avoid injury.

1. Remove shipping end caps (yellow) from A-frame.
2. Insert the base assemblies into the A-frame.
3. Depress the snap button on one (1) base assembly and slide it into the A-frame until the snap button protrudes through the hole in the A-frame.

NOTE: The base assembly will lock when an audible "click" is heard.

4. Repeat STEP 3 for the other base assembly.
5. Slide the mast and boom tube assembly onto the A-frame, with the boom tube on the same side as the base assembly legs.
6. Remove the boom tube end cover from the boom tube.
7. Slide the trapeze clamp over the end of the boom tube.
8. Depress the snap button on the boom tube and slide the trapeze clamp toward the mast until it locks.

NOTE: The trapeze clamp will lock when an audible "click" is heard.

9. Replace the boom tube end cover.
10. Adjust the trapeze. Refer to [Adjusting the Trapeze](#) on page 3.

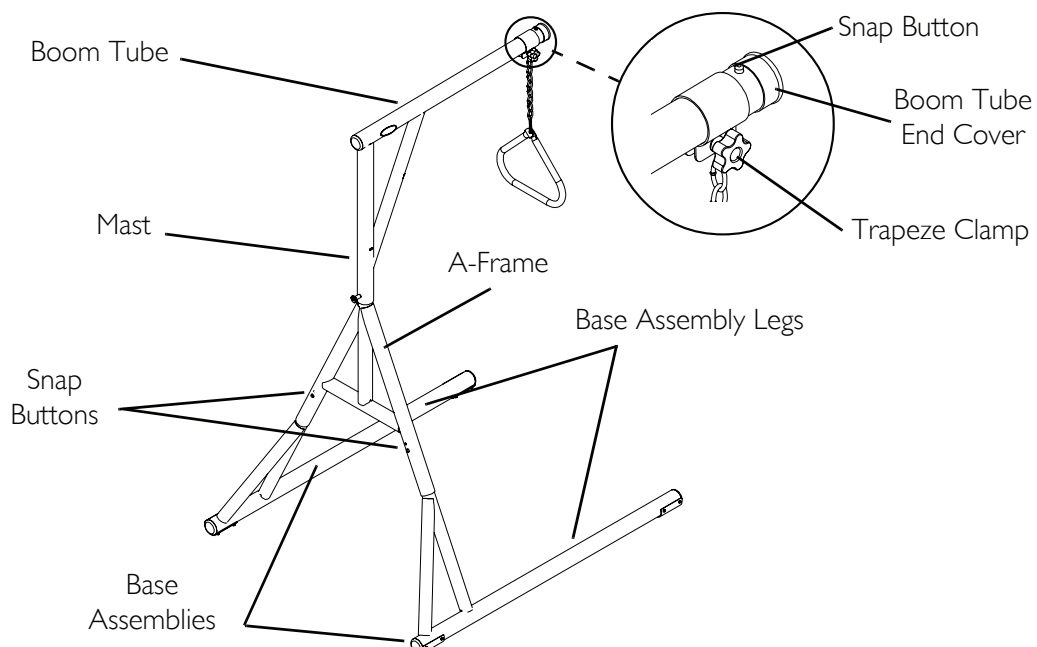


FIGURE 1 Assembling the Trapeze

Adjusting the Trapeze

⚠ WARNING

Ensure that the trapeze clamp is securely tightened BEFORE using the trapeze, otherwise injury may occur.

NOTE: For this procedure, refer to FIGURE 2.

Height

1. Position the desired chain link onto the free "S" hook on the trapeze clamp (Detail "A").

Position

1. Loosen trapeze knob by turning counterclockwise (Detail "A").
2. Slide the clamp to desired position on the boom tube.
3. Secure the trapeze clamp to the boom tube by turning the knob clockwise.

Rotation

NOTE: The mast and boom tube can be rotated to three positions.

1. To adjust the rotation, pull out the quick release pin (Detail "B").
2. Move the trapeze to the desired position. There are three (3) holes to choose from as shown in Detail "C".
3. Let go of the quick release pin once the trapeze is in the desired position. You should hear an audible "click" as the quick release pin enters one of the three (3) holes and locks into place.

⚠ WARNING

Ensure that the quick release pin is securely locked in place BEFORE using the trapeze, otherwise injury may occur.

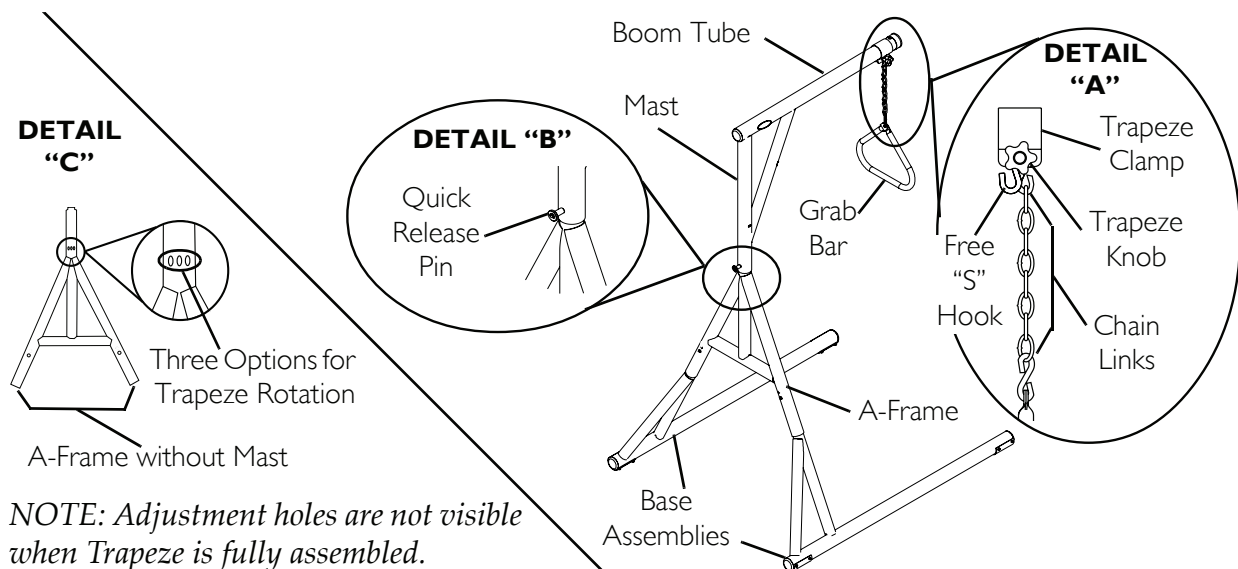


FIGURE 2 Adjusting the Trapeze

Trapeze Placement

NOTE: For this procedure, refer to FIGURE 3.

1. Position the trapeze at the head of the bed so the boom tube hangs over the bed.

NOTE: Trapeze base positioning is dependant upon width of the bed.

⚠ WARNING

After positioning unit, ensure locking casters on the bed assembly are in the locked position. Failure to lock bed casters can result in bed movement during trapeze use and result in possible injury or property damage.

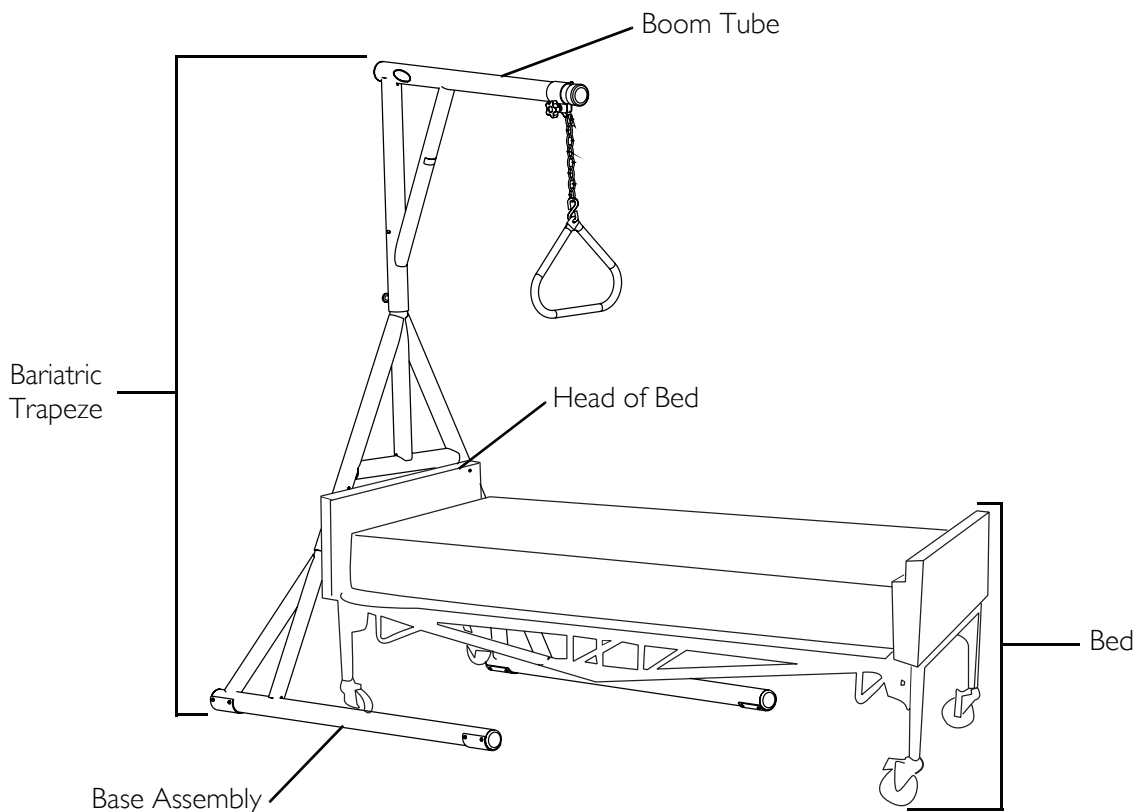


FIGURE 3 Trapeze Placement

LIMITED WARRANTY

PLEASE NOTE: THE WARRANTY BELOW HAS BEEN DRAFTED TO COMPLY WITH FEDERAL LAW APPLICABLE TO PRODUCTS MANUFACTURED AFTER JULY 4, 1975.

This warranty is extended only to the original purchaser/user of our products.

This warranty gives you specific legal rights and you may also have other legal rights which vary from state to state.

Invacare warrants its product to be free from defects in materials and workmanship for the lifetime of the product for the original purchaser. If within such warranty period any such product shall be proven to be defective, such product shall be repaired or replaced, at Invacare's option. This warranty does not include any labor or shipping charges incurred in replacement part installation or repair of any such product. Invacare's sole obligation and your exclusive remedy under this warranty shall be limited to such repair and/or replacement.

For warranty service, please contact the dealer from whom you purchased your Invacare product. In the event you do not receive satisfactory warranty service, please write directly to Invacare at the address on the back cover. Provide dealer's name, address, model number, and the date of purchase, indicate nature of the defect and, if the product is serialized, indicate the serial number.

Invacare Corporation will issue a return authorization. The defective unit or parts must be returned for warranty inspection using the serial number, when applicable, as identification within thirty (30) days of return authorization date. **DO NOT** return products to our factory without our prior consent. C.O.D. shipments will be refused; please prepay shipping charges.

LIMITATIONS AND EXCLUSIONS: THE WARRANTY SHALL NOT APPLY TO PROBLEMS ARISING FROM NORMAL WEAR OR FAILURE TO ADHERE TO THE ENCLOSED INSTRUCTIONS. IN ADDITION, THE FOREGOING WARRANTY SHALL NOT APPLY TO SERIAL NUMBERED PRODUCTS IF THE SERIAL NUMBER HAS BEEN REMOVED OR DEFACED; PRODUCTS SUBJECTED TO NEGLIGENCE, ACCIDENT, IMPROPER OPERATION, MAINTENANCE OR STORAGE; OR PRODUCTS MODIFIED WITHOUT INVACARE'S EXPRESS WRITTEN CONSENT INCLUDING, BUT NOT LIMITED TO: MODIFICATION THROUGH THE USE OF UNAUTHORIZED PARTS OR ATTACHMENTS: PRODUCTS DAMAGED BY REASON OF REPAIRS MADE TO ANY COMPONENT WITHOUT THE SPECIFIC CONSENT OF INVACARE; PRODUCTS DAMAGED BY CIRCUMSTANCES BEYOND INVACARE'S CONTROL; PRODUCTS REPAIRED BY ANYONE OTHER THAN AN AUTHORIZED INVACARE DEALER, SUCH EVALUATION SHALL BE SOLELY DETERMINED BY INVACARE.

THE FOREGOING EXPRESS WARRANTY IS EXCLUSIVE AND IN LIEU OF ANY OTHER EXPRESS WARRANTIES WHATSOEVER, WHETHER EXPRESS OR IMPLIED, INCLUDING THE IMPLIED WARRANTIES OF MERCHANTABILITY AND FITNESS FOR A PARTICULAR PURPOSE AND THE SOLE REMEDY FOR VIOLATIONS OF ANY WARRANTY WHATSOEVER, SHALL BE LIMITED TO REPAIR OR REPLACEMENT OF THE DEFECTIVE PRODUCT PURSUANT TO THE TERMS CONTAINED HEREIN. THE APPLICATION OF ANY IMPLIED WARRANTY WHATSOEVER SHALL NOT EXTEND BEYOND THE DURATION OF THE EXPRESS WARRANTY PROVIDED HEREIN. INVACARE SHALL NOT BE LIABLE FOR ANY CONSEQUENTIAL OR INCIDENTAL DAMAGES WHATSOEVER.

THIS WARRANTY SHALL BE EXTENDED TO COMPLY WITH STATE/PROVINCIAL LAWS AND REQUIREMENTS.